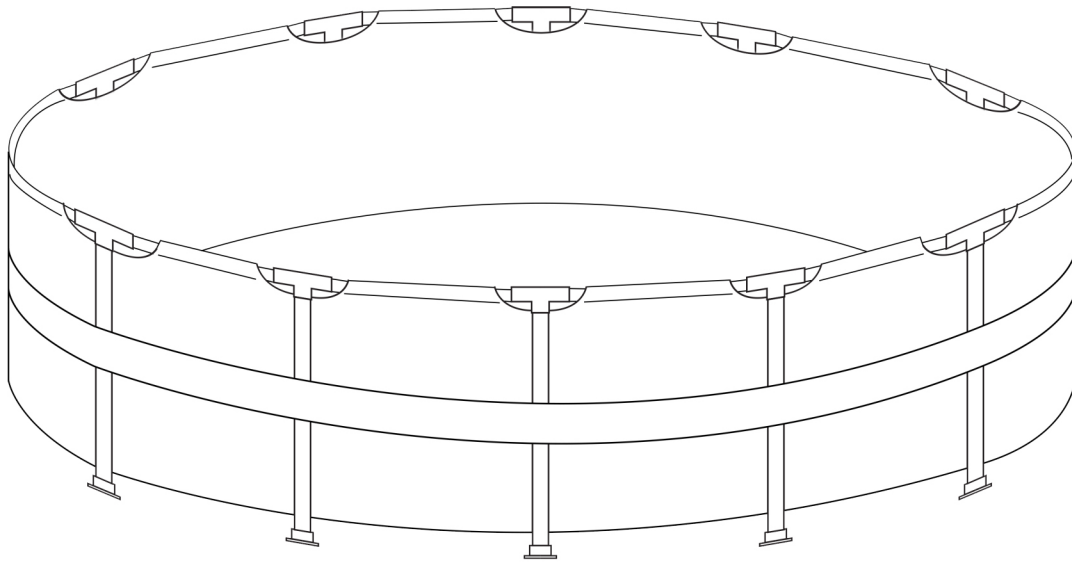


IMPORTANT

Please read this guide and follow all instructions carefully before assembling or using this product



To purchase replacement parts and accessories, or to obtain technical assistance,
please visit us at:

www.splasharoundpools.com

or call

(909) 980 - 7709





Index

Warnings..... Pg. 3

Before You Begin..... Pg. 4

Parts List and Specifications..... Pg. 5

Preparing the Ground..... Pg. 6

Assembly Instructions / Frame Layout..... Pg. 7

Assembly Instructions / Liner Layout..... Pg. 8

Assembly Instructions / Completion..... Pg. 9

Skimmer and Return Fitting Assembly..... Pg. 9

Pump and Filter Assembly..... Pg. 10

Disassembly..... Pg. 10

Warranty..... Pg. 11

Getting started:

Congratulations on the purchase of your new pool! Please read this owner's manual before beginning assembly. The information contained within this booklet will help ease the installation process and extend the life of your pool. We suggest using 2-3 people during the assembly of your pool to speed things up. Don't forget to save this manual for future reference!





Warning

WARNING



Never jump or dive into the pool.
Horseplay of any kind in the pool may result in spinal
or fatal injury.



Adult supervision is required at all times.

Important - Please Read

- Make sure you do not install your pool under electrical lines.
- Always use a GFCI outdoor protected receptacle to plug your pool equipment into.
- Always make sure that the pool area is supervised by a competent adult at all times.
- Do not allow any diving, jumping or headfirst entry into the pool.
- Never swim alone.
- Never use the pool under the influence of alcohol or drugs.
- Never allow children to use the pool unsupervised.
- Never leave your pool assembled without water.
- Never assemble the pool when the ground is off level.
- Never try to make one end deeper on the pool floor; the liner does not stretch.
- Do not over fill the pool.
- Never allow the pool to go unfiltered for a time period longer than 24 hours.
- Do not attempt assembly on any day with winds in excess of 20 MPH.
- Never assemble your pool on nut grass.
- Never assemble the pool without proper concrete or pressure treated support bases as per assembly guide.
- Never drag the pool liner. Always be sure to pick up the liner and carry it.
- Always remember that safety is the key to fun in your new pool.



Before you Begin

Please Note:

- It is normal for the pool to show some deflection of the top rails inward while the pool is filling. Once the pool has filled completely, the deflection of the top rails may be slightly outward. This is common and will not effect the structural integrity of your pool.
- In some rare cases, due to different climate conditions and local water quality, your new pool may “sweat” or “weep” slightly after being filled for the first time. This may appear around the bottom perimeter of your pool, most often noticeable when installed on cement. This “sweating” or “weeping” will most often stop once the outside air temperature and inside water temperature equalize in a few weeks time or less. This is similar to condensation which occurs on the outside of a can of cold soda on a hot day. If after several weeks, your pool continues to “sweat” or “weep”, please contact your dealer or Splash-A-Round Pools directly for further assistance.
- In some rare cases, due to the advanced design of the PVC poly-fabric reinforced heavy duty liner, small microscopic pinholes may occur in the material due to the curing process when manufactured. These microscopic pinholes may appear as a small “weep” in the material which can be easily omitted by dabbing a small amount of transparent glue which is provided with your pool. Once applied, wipe off with a dry cloth. The “weep” will immediately stop and the transparent glue will be invisible. If you do not wish to apply a small amount of transparent glue, you may simply wait a few weeks as most often the “weep” will stop on it’s own. This is in no way a defect which will affect or compromise the integrity of your new pool.

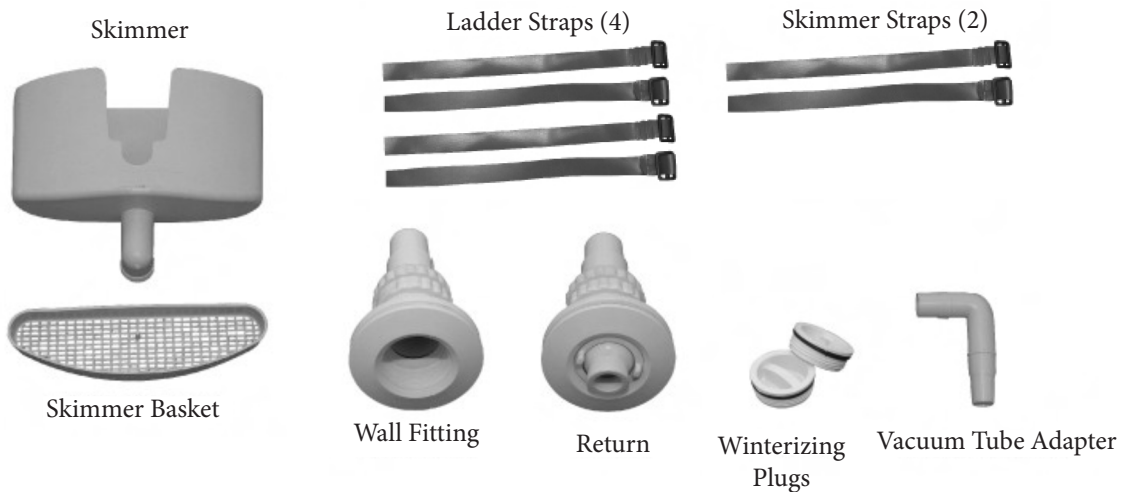


Parts List & Specs

Frame Assembly List

Part	Description	Diagram	Pool Size	Qty
A	Horizontal Straight Tube - 2"		• 13'	• 10
			• 16'	• 12
			• 18'	• 14
B	Vertical Straight Tube - 1-1/2"		• 13'	• 10
			• 16'	• 12
			• 18'	• 14
C	T-Connector		• 13'	• 10
			• 16'	• 12
			• 18'	• 14
D	Plastic Foot		• 13'	• 10
			• 16'	• 12
			• 18'	• 14

Skimmer Parts





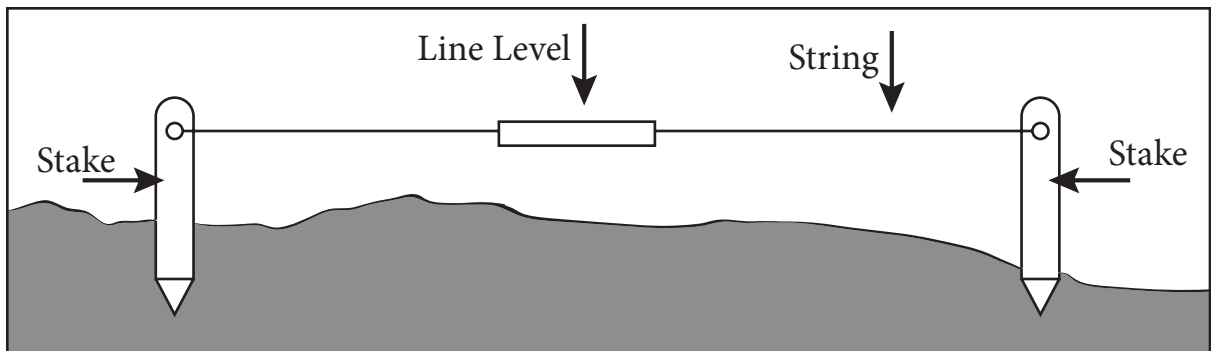
Preparing the Ground

A. Pool Size / Space Required

It is recommended to allow an additional 12" of space around the perimeter of your portable pool. For example: a 16' round pool should have an area of 17' in diameter. The larger dimension (17') is referred to as the "foot print".

B. How do I find level?

It is important that your pool be placed on level ground. Though your pool can tolerate being slightly out of level, it is best for proper filtration as well as visual concern to have your pool as level as possible. Here is a simple way how to find level ground:



You will need:

- Two small wooden stakes
 - Length of string, three feet longer than the longest dimension of the pool
 - One "line level" (can be purchased from any hardware store.)
1. Set one stake into the ground at one end of where the pool will be, and the other stake at the other end of the pool area.
 2. Tie the string stretched between both stakes making sure it is stretched tight.
 3. Now set the line level in the center of the string.
 4. Tap either stake further into the ground to level the string at both ends.
 5. Now measure the distance from the ground to the string at both ends. If one measurement is 5" at one stake, and 7" at the other stake, then you're 2" off level.

C. Surface preparation

If there is grass in the pool area, we recommend removing grass and any foliage prior to assembling of the pool. In addition to removing grass, it is recommended to add 2 to 3 inches of washed plaster sand or Happy Bottom® pad for additional protection of the pool liner prior to assembly. (Happy Bottom® can be purchased from your local swimming pool dealer).

D. Base support

We always recommend supporting the vertical uprights with a concrete or pressure treated wood base. Failure to use a support base may result in structural failure which is not covered by the warranty.



Pool Assembly / Frame Layout

Step 1

Locate the area most suited for setting up the pool. Clear it of any sharp objects or debris and level it to zero as explained on the “Preparing the Ground” page. If the pool is assembled on unlevelled ground, it may suffer permanent structural warping or damage the liner.

Step 2

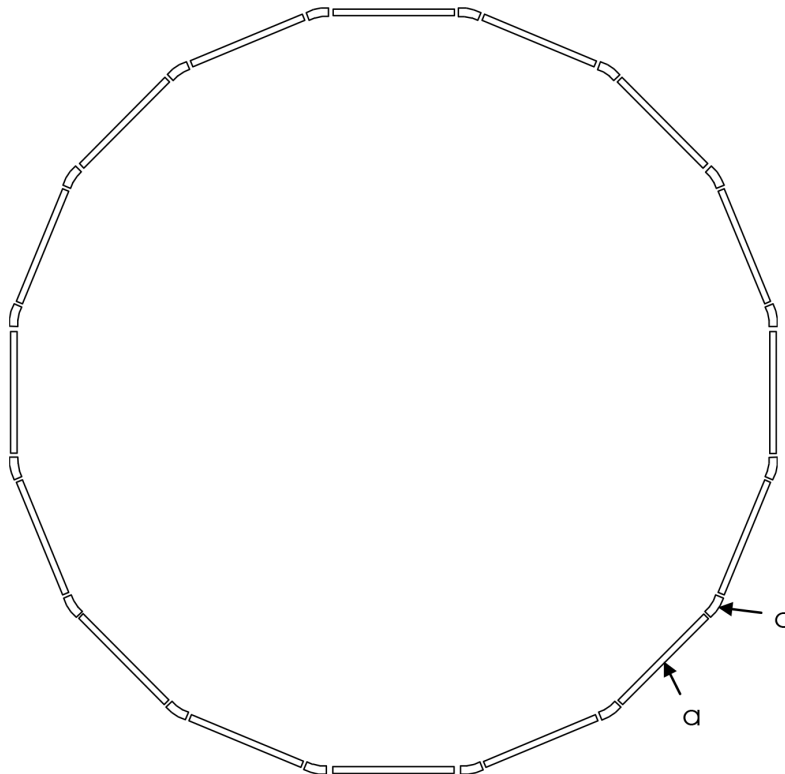
Remove the liner from the box marked “Liner” and place it at the center of the area where you plan to assemble the pool. Take care not to damage the liner when opening the box. **DO NOT USE SHARP OBJECTS TO OPEN THE BOX THAT CONTAINS THE LINER.**

Step 3

Unfold the liner. Locate the place where the pump and filter system will be connected and position the 2 circular openings on the side where you intend on placing the pump and filter.

Step 4

Remove the frame (parts A, B, C, and D) from the box marked “Frame”. Lay all of the upper frame out in the order indicated below. [Locate each frame piece corresponding with the parts list on page 5.]

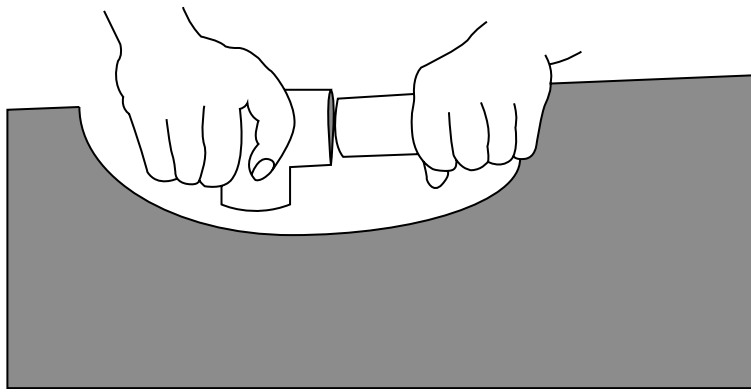




Pool Assembly / Liner Layout

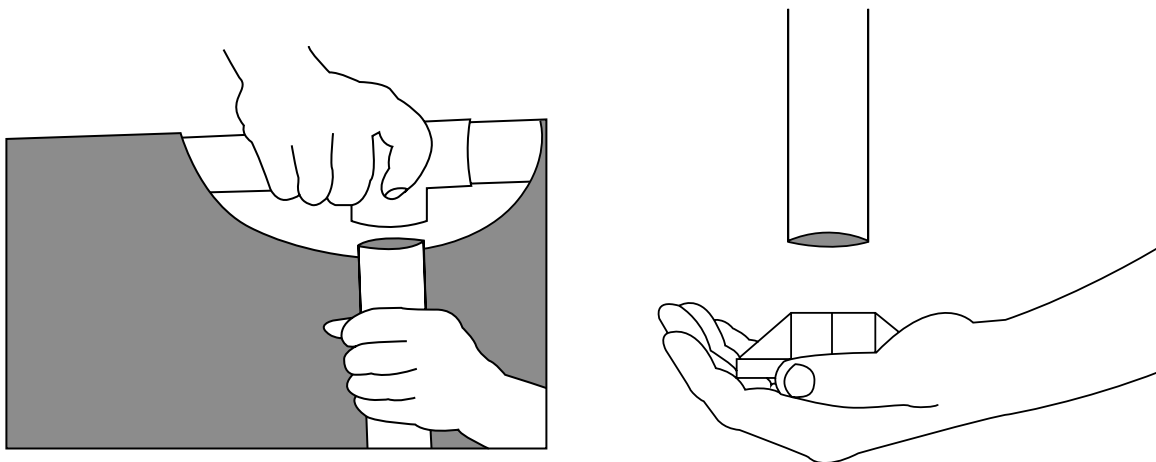
Step 5

Begin inserting the upper frame rails (A) into the sleeves located at the top of the liner. Center the beam in the sleeve and attach a “T”-Connector (C) to the end of the frame rail in the open space between each sleeve. Insert the smaller end of the top rail into the larger end of the “T”-Connector lining up the pin making sure you hear a “click”. Repeat this step until all of the upper frame rails and “T”-Connectors have been connected.



Step 6

Once all of the upper frame rails have been connected, it is time to attach the vertical legs. Begin by sliding one vertical leg (B) through the retaining belt and attaching it to the “T”-Connector (C), pushing in on the pins and aligning the holes until you hear a “click”. Double check that the vertical leg has been inserted in the restraining belt and proceed to the next leg repeating these steps until all of the vertical legs are in place. Next go around the pool attaching the plastic feet (D) to each of the vertical legs (B).





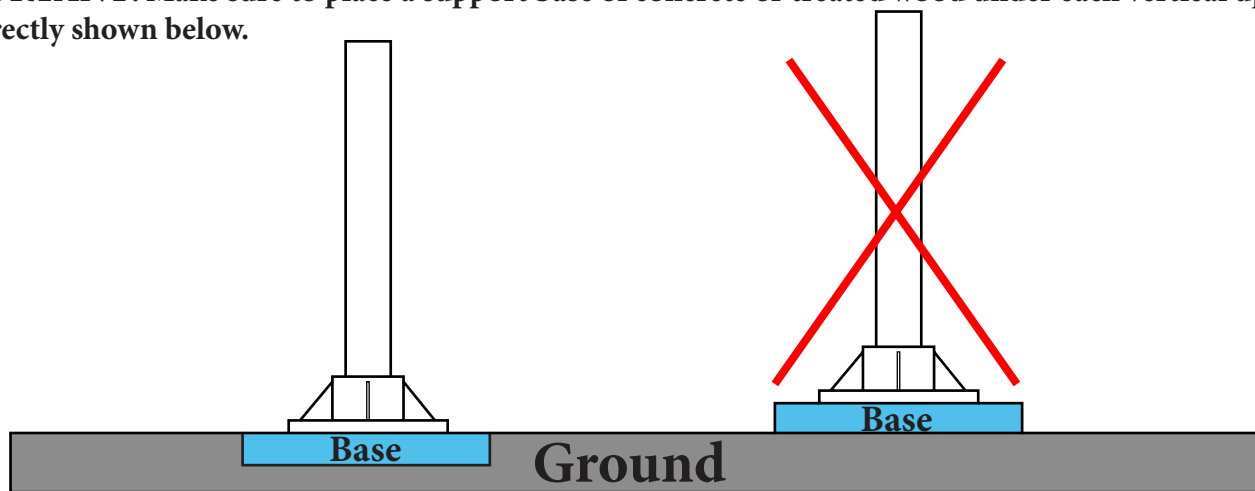
Pool Assembly / Fitting Assembly

Step 7

Special note: Once you finish, make sure the liner fits comfortably on the structure. Go around the pool to check that the framework is assembled correctly. Go around the perimeter of the pool and tug on the bottom of the upright outward. Repeat this process 2-5 times as it will help to set the frame system and level the pool prior to filling with water. Once you start filling the pool with water, you will not be able to make any changes.

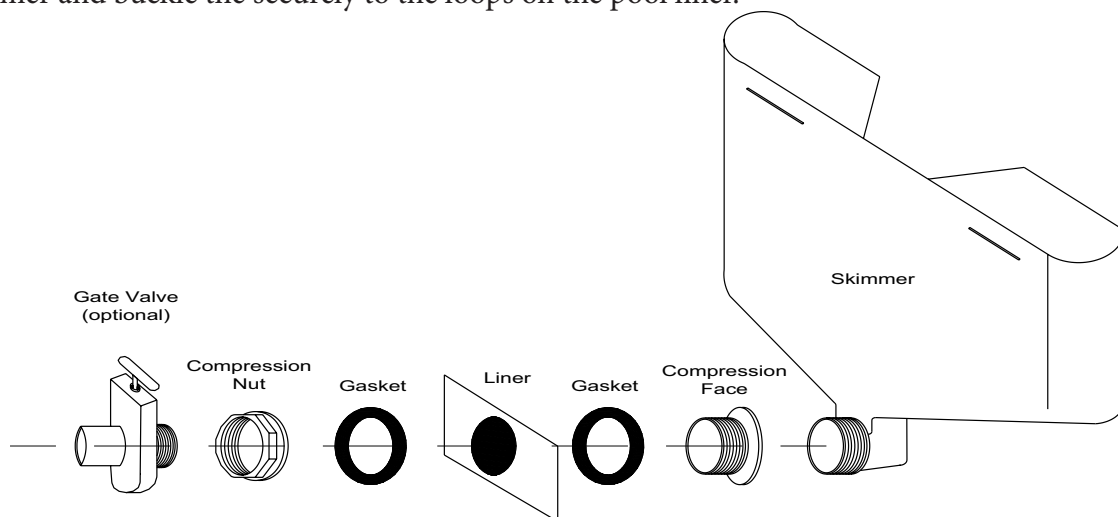
MAKE SURE EACH UPRIGHT IS FULLY INSERTED INTO THE "T" CONNECTOR PRIOR TO ADDING WATER.

IMPORTANT: Make sure to place a support base of concrete or treated wood under each vertical upright as correctly shown below.



Step 8

Now that you've completed the pool assembly, it's time to install the skimmer and return fittings. Follow the diagram below. Once the skimmer has been properly assembled, insert the two skimmer straps through the opening on the skimmer and buckle the securely to the loops on the pool liner.

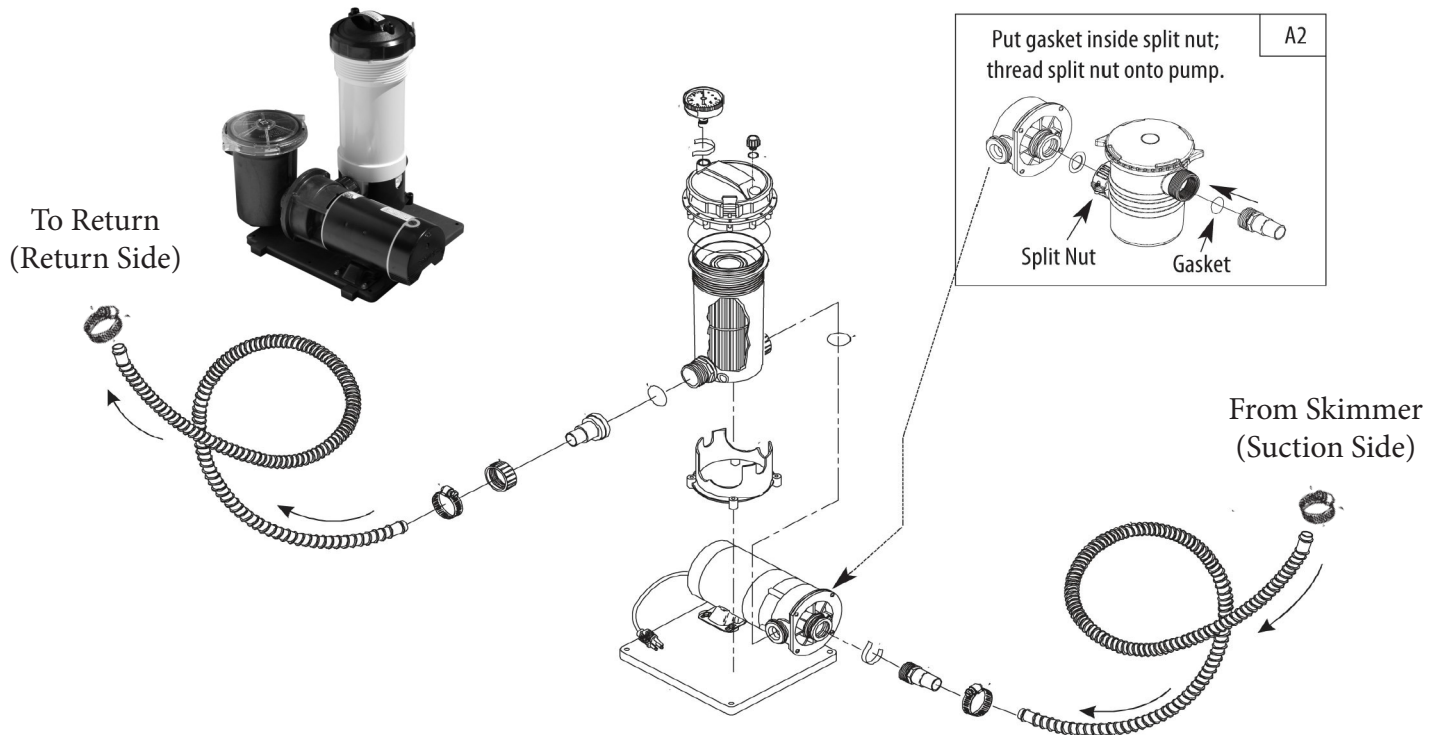




Equipment Assembly/ Pool Disassembly

Step 9

With the skimmer and return fittings now in place, assemble the pump and filter package and connect the hoses according to the diagram below. (Equipment may vary by dealer)



Step 10

Before you start filling the pool with water, assemble and secure the ladder with the ladder straps included. Refer to the ladder instructions for assembly procedures.

Enjoy:

You have now completed the installation process and are ready to start enjoying the benefits of pool ownership. Be sure to retain this manual for future reference.

Disassembling the pool:

1. Drain the pool completely and dry all moisture off of the liner. This will prevent mildew or algae growth while in storage.
2. Remove all top rails, "T"-Connectors, vertical tubes, and bottom feet and store.
3. Make sure that all of your pool items are stored in a cool dry place without sun exposure.



SPLASH-A-ROUND POOLS™

9292 Ninth Street

Rancho Cucamonga, CA 91730

(909) 980-7709

www.splasharoundpools.com

Ten Year - *Summer Breeze™* Pool Pro-Rated Limited Warranty

This warranty covers the pool only supplied by Splash-A-Round Pools (SARP), which includes the metal superstructure and the polyester reinforced membrane water container structure. Excluded from this warranty are the ladders, pumps and electric motors, which are warranted by their manufacturer. To validate this limited warranty, the pools must be registered with SARP. Please provide all the information requested on the warranty registration form and mail within 20 days of purchase.

WARNING



Never jump or dive into the pool.
Horseplay of any kind in the pool may result in spinal
or fatal injury.



Adult supervision is required at all times.

To obtain performance under this warranty, first contact the dealer from whom the product was purchased. The dealer is charged with the responsibility of determining, beyond a reasonable doubt, that the defect was once created by the manufacturer. The dealer may correct the defect or arrange to send the damaged / defective component back to SARP for repair (freight prepaid by pool owner).

SARP are designed for your swimming enjoyment. Entry and exit from your pool should only be by a proper above ground swimming pool ladder. **DO NOT DIVE OR JUMP!**

TEN YEAR LIMITED WARRANTY REGISTRATION CERTIFICATE

This card must be mailed within 20 days of your purchase

P.O. # _____

Pool Size _____

Dealer _____

City _____

Your Phone # _____

Purchaser's Signature _____

Pool was purchased because of:

- Suggestion of dealer
- Advertising
- Past customer
- Referral

Serial # _____

Buyer (please print) _____

Address _____

City _____

State _____ Zip _____

Your E-mail _____

Date Purchased _____

Send information on the following:

- Solar / Winter Cover
- Automatic Chlorination
- Fountains
- Pool Light
- Automatic Cleaners

1. This warranty is extended to the original purchaser (consumer) only and is non-transferable.
2. This limited warranty covers only the pool supplied by SARP.
3. This SARP warranty provides prorated coverage over a ten (10) year period, only on the welded seams and metal frame. If any defect in workmanship on the welded seams or metal frame is confirmed by the dealer and/or SARP and is reported to the dealer and/or SARP, the parts will be replaced or repaired at the applicable prorated cost. If a determination of defect cannot be confirmed by the local dealer, the purchaser may be required to send the part(s) to SARP. The purchaser, at their expense, and after prior authorization from SARP, should clean, package and send the part(s) to SARP. If, at the sole discretion of SARP, there is determined to be a manufacturing defect, the part(s) will be replaced or repaired, at SARP's option, and the applicable return freight may be reimbursed. Any part(s) found defective in the first year from the date of purchase will be repaired or replaced free of charge. For the next nine (9) years, part(s) found to have a manufacturing defect will be replaced at the then existing manufacturer's suggested retail price prorated by applying the percentage listed below for the appropriate year. During the ten (10) year period, the purchaser is responsible for paying the below indicated percentage of the then current retail price of the warranty covered item:

Months	1 - 12	13-24	25-36	37-48	49-60	61-72	73-84	85-96	97-108	109-120
Percentage paid by customer of current retail price	0%	10%	20%	30%	40%	50%	60%	70%	80%	90%

Freight for the new or repaired part(s) will be billed collect. A cashier's check or money order covering the cost of the new or repaired part(s) will be required prior to the shipment from SARP.

4. Failure or refusal of the purchaser to allow dealer and/or SARP to inspect the product claimed defective (at dealer's and/or SARP business location) shall render this warranty null and void. SARP cannot be responsible for damage to the part(s) caused by the purchaser or installer.
5. This warranty is null and void if the design of this product is altered in anyway. The pool must be assembled according to the factory instructions with no alterations to any parts. The pool is designed to be installed as an above ground portable pool. Burying the pool below the surface of the ground voids this warranty.
6. SARP assumes no responsibility for errors in installation by the purchaser or by a hired installer. If the pool is installed by someone other than the purchaser, it is the purchaser's responsibility to supervise the installation to be sure that the SARP installation instructions are followed.
7. Accidental, consequential or other damages will not be paid by SARP, including but not limited to, the COST OF LABOR AND/OR WATER OR CHEMICAL LOSS OR ANY DAMAGES THAT MAY OCCUR THEREFROM.
8. Pool must not be installed over nut grass.
9. A pool left standing empty is exposed to potential severe damage. Such damage is not covered by this warranty. If the pool is emptied, it should be disassembled and properly stored immediately.
10. Damage to the liner or frame from ice if not winterized properly is not covered by this warranty.
11. Pool must be assembled on level ground or level surface. Support for vertical uprights must be placed on ground in accordance with the assembly instructions. If not, this warranty is null and void.
12. All objects (rocks, sticks, etc.) must be cleared from the area the pool is to be installed on.
13. SARP is not responsible for damage to the pool due to improper use of chemicals, lack of maintenance or improper use of chlorine tablets. Caution should be used with tri-chlor tablets as direct contact can damage the pools liner.
14. Warranty Exclusions: Misuse of chemicals which cause fading, staining, shrinking, wrinkling, tears, rips, cuts, punctures, dry rot, sun rot, negligence, alterations, improper installation or assembly, aesthetic tears or rips caused by any type of undue stress or during assembly / disassembly, aesthetic blemishes or tears not compromising structure or pools ability to hold water, vandalism, civil disturbance or acts of god such as wind blown debris, grass growing through liner, accidental or malicious damage to liner, or a product used for commercial or institutional purposes.
15. To validate warranty, purchaser must return warranty from within 20 days from purchase.

Return Address

Place first
class postage
here

SPLASH-A-ROUND POOLSTM
 9292 Ninth Street
 Rancho Cucamonga, CA 91730
 (909) 980-7709
www.splasharoundpools.com